

# Accessories for Orca, Salamander and Laser- enclosure



Range of accessories for Salamander and Orca enclosures

## Salamander and Orca mounting kits:

Mounting kits consist of an adapter plate and one or more mounting brackets and are used to attach autoVimation's dovetail- enclosures to any T-Slot profile or machine frame.

- Mounting kit 1, **Art. No. 5.010.000** for parallel attachment
- Mounting kit 2, **Art. No. 5.020.000** for vertical attachment
- Mounting kit 6, **Art. No.: 5.060.000** for 360° orientation
- Mounting kit 7, **Art. No.: 5.070.000** for tilt adjustment + -8°
- Mounting kit 9, **Art. No.: 5.090.000** for 360° orientation and + - 8° tilt adjustment.

For additional mounting kits refer to the following brochure:

["Camera enclosure mounting kits"](#).



## Salamander 60mm Extension:

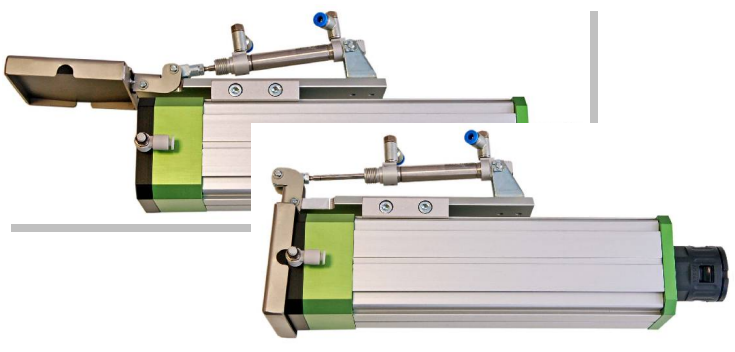
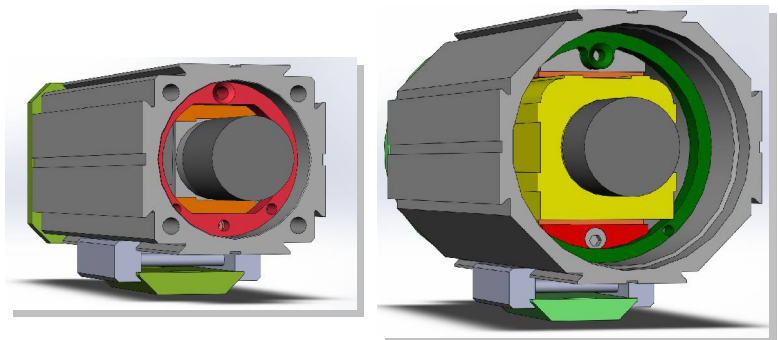
Enables easier adjustment of large lenses - the enclosure still maintains its IP67 (Nema 4 + 6 ) rating.

- Salamander 60mm Extension, **Art. No. 15.015.060**

## Salamander and Orca positioning ring:

Allows the repeatable positioning of cameras after removal, for instance after repair.

- Positioning Ring Orca, **Art. Nr. 20.040.002**
- Positioning Ring Salamander, **Art. Nr. 20.020.003**



## Pneumatic Shutter for Salamander enclosure:

Protects the front window from contamination, for instance if the camera is only used in machine breaks (e.g. milling machines).

- Pneumatic shutter, incl. cylinder, speed control valves, attachment to any side of the Salamander enclosure, fittings for 4mm Ø tubing, **Art. No.: 50.200.010**

# Accessories for Orca, Salamander and Laser- enclosure

## Mirror attachment für Salamander and Orca:

- **Cost-efficient 90° deflection**, avoiding the use of prism attachments or "side-view" cameras.
- Allows the use of standard cameras in tight spaces.
- **Flexible adjustable** along the longitudinal camera- and mirror axis.
- Mirror attachment for Salamander and Orca, **Art. No.: 20.020.004**



## Temperature controlled heating plate for Salamander and Orca:

The temperature controlled heating plate heats the entire enclosure to max. 20°C. This way it is ensured that the camera cannot overheat and there is no dew-point inside the enclosure. This heating plate maintains the camera temperature typically at around +10°C even at -30°C ambient temperature. Power supply separately.

- Heating plate for Salamander 35W, set to max 20°C, 24V, **Art. No.: 70.100.010**
- Heating plate for Orca 35W, set to max 20°C, 24V, **Art. No.: 70.100.011**

## Air curtain for Salamander and 2" Orca:

- Keeps the front window clean from dust and light spray.
- Operation either permanently or just prior to image acquisition.
- "Tornado" principle in order to minimise air consumption.
- Flow valve adjustable from 50-100 L/min.
- Push in fitting for 4mm Ø pneumatic tube.
- **Art. No.: 50.100.010**



## Air nozzle for laser enclosure and 3" Orca:

Keeps the window clean in case the standard air curtain can not be mounted.

- Air nozzle for laser enclosure, **Art. No.: 50.100.020**
- Air nozzle for Orca enclosure, **Art. No.: 50.100.025**

## Orca enclosures with special front windows:

The Orca enclosure is now available with 2" and 3" Germanium windows for use with thermal imaging cameras. Another new front lid is a dome window for fisheye lenses with up to 60mm diameter.

- Orca L, 2" Germanium window 8-12nm, rear wall C, e.g. for Flir A300, **Art. No.: 20.044.250**
- Orca L, Dome window for fisheye lens, rear wall C, **Art. No.: 20.047.250**
- Orca L, 3" Germanium window 8-12nm, rear wall C, e.g. for Flir A300, **Art. No.: 20.048.250**
- Orca L, 3" Germanium window 8-12um, RW C, e.g. for Flir A300 with large f= 76mm lens, **Art. No.: 20.049.335**

These enclosures are also available in S and M length (see Orca data sheet).

