

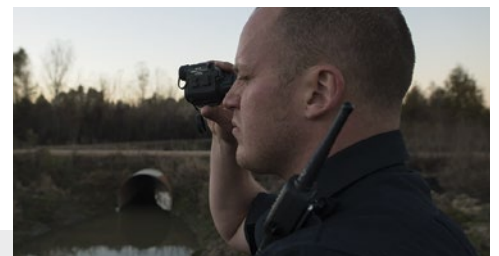
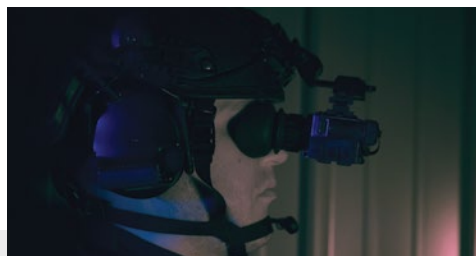


THERMAL IMAGING MONOCULAR

FLIR BREACH[®] PTQ136

Built for the rigors of law enforcement, the FLIR Breach PTQ136 spots the heat of suspects and objects in total darkness. Featuring the new FLIR Boson core and a compact design, the FLIR Breach offers unmatched tactical awareness. Weighing only 7.4 ounces (210 grams), the FLIR Breach can be concealed in a pocket or mounted to a helmet with its mini-rail feature, while adding minimal weight to officers' heavy gear. Additional features include onboard recording and seven palettes for fast detection of suspects or evidence, day or night.

www.flir.com/ots



EXCEPTIONAL VISION

The advanced image processing of the Breach PTQ136's internal FLIR Boson thermal core and a bright high definition display create excellent image clarity and provide better detection and classification, day or night.

Custom Viewing

- Multiple thermal image palettes create a fully customizable viewing experience

Digital Compass and Inclinometer

- Great situational awareness with integrated object orientation

FLEXIBLE MOUNTING OPTIONS

For hands-free operation, Breach PTQ136 has multiple mini-rail mounting points designed to allow for a wide variety of head mounts, helmet mounts, and to install additional equipment.

Built-In Recording

- Internal storage of up to 2.5 hours of recording or up to 1,000 pictures

Iconic FLIR Warranty

- Enjoy FLIR's 10-year Detector warranty

SUPERIOR VALUE

The Breach PTQ136 is packed with features. Document operations with on-board video recording and image capture. Choose from multiple palettes to perfect viewing during varied situations. Enhance situational awareness with a digital compass/inclinometer.

Made in the USA

- Have the peace of mind that comes from knowing your gear is made and supported in the USA

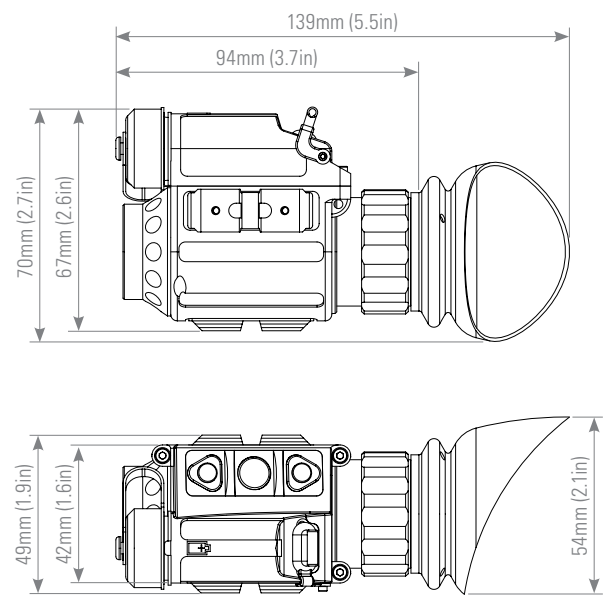
SPECIFICATIONS

General	FLIR Breach PTQ136
Detector Type	320 x 256 VOx Microbolometer
Refresh Rate	60 Hz
Start Up	< 1.5 seconds
Image Processing	FLIR Proprietary Digital Detail Enhancement™
Lens system	9.1 mm; F/1.04
Optical magnification	1×
Field of View (H x V)	24° × 19°
Digital e-Zoom	1× - 4× continuous
Diopter Adjustment Range	-5 to +5 dpt
Focusing Range	0.25 m to infinity
Eye Relief	16 mm
Display	Quad-VGA (1280 x 960) FLCOS
Video Output	Digital Video
Internal memory	Up to 1,000 images and 2.5 hours of video on internal memory
Temperature Imaging Modes (Image Palettes)	White Hot, Black Hot, Rainbow HC, Ironbow, Sepia, Artic, Outdoor Alert
User Interface	
Control Panel Buttons	Configures Operational Settings: <ul style="list-style-type: none"> • Unit On/ Off • Display Brightness Control • Image Palette Control • Digital Zoom Control • On-Screen Menu Navigation • NUC
Diopter Adjustment Ring	Adjusts the Eyepiece Diopter
Interfacing	
USB-C Connector	Power In; Video out; Video and image files transfer
Power	
Battery Type	One CR123A 3V Lithium battery
Battery Life (Operating)	Up to 90 minutes at 20°C
USB Power	5 VDC
Environmental	
Operating Temperature Range	-20°C to +50°C (-4°F to +122°F)
Storage Temperature Range	-40°C to +60°C (-40°F to +140°F)

Physical	
Weight	210 g (0.46 lbs)
Size	139 × 70 × 49 mm (5.5 × 2.7 × 1.9 in)
Color (housing)	Black
Country of Origin	USA

Package Includes
Thermal Monocular, CR123A Battery, Lens Cloth, Hard Case

Optional Accessories
 ANHG000001 – Goggle Kit #1
 ANHM000002 – Helmet Mount #3 (MICH/PASGT)
 ANHM000170 – Helmet Mount #170 (Shroud)
 ANHG000002 – Swing Arm #37 - Mini Rail Adapter to Bayonet Mount
 ANHM000172 – Swing Arm #172 - Mini Rail to Dovetail Adapter



Specifications are subject to change without notice.
For the most up-to-date specs, go to www.flir.com

FLIR OUTDOOR & TACTICAL SYSTEMS

815 Dubuque Avenue,
South San Francisco,
CA 94080

Phone: 1-888-959-2259
or (650) 492-7755
Fax: 1-888-959-2260

International Phone/Fax:
(650) 492-7755

US Commercial Sales

OTS-Sales@flir.com

Government Sales

OTS-Gov@flir.com

International Sales and Export

OTS-Export@flir.com

Technical Support, Repairs, Returns, Refunds & Warranty

OTS-Support@flir.com

www.flir.com/ots
NASDAQ: FLIR

Equipment described herein is subject to US export regulations and may require a license prior to export. Diversion contrary to US law is prohibited. Imagery for illustration purposes only. Specifications are subject to change without notice. ©2017 FLIR Systems, Inc. All rights reserved. Rev.1 - 01/10/2018

17-3398-SUR



The World's Sixth Sense™