

Chameleon IP66 (Nema 4) Industrial camera enclosure

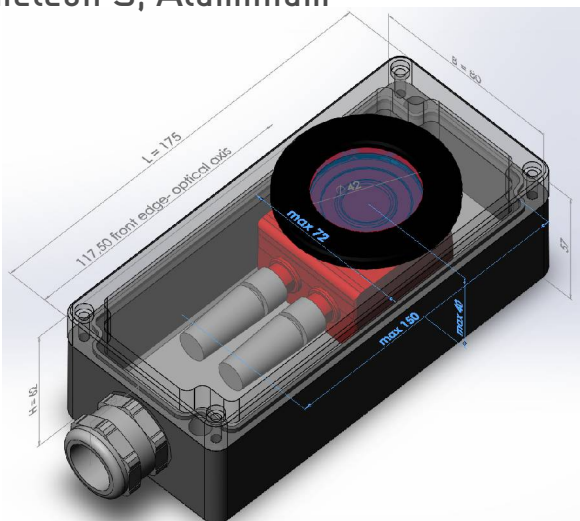


Adaptable IP66 (Nema 4) protection for cameras with 90° viewing direction

Technical Highlights:

- **Robust build** from aluminium or high grade stainless steel (AISI 316L).
- **Small form factor** - enclosures are not much larger than the protected camera.
- Also **suitable for vision sensors** with inbuilt LED lighting, thanks to double sided anti-reflective window coating.
- **Different sizes available** - for S-mount vision sensors and C-mount cameras with larger lenses. Custom colours and prints possible.
- **Good chemical resistance** through NBR, TPE and Poron seals. Contact us for any special requirements!
- **Pressure equalising valve** - avoids condensation for outdoor use.
- **Adaptation to specific camera models** without additional costs.
- **Cable gland for several cables and connectors up to 21mm Ø.**

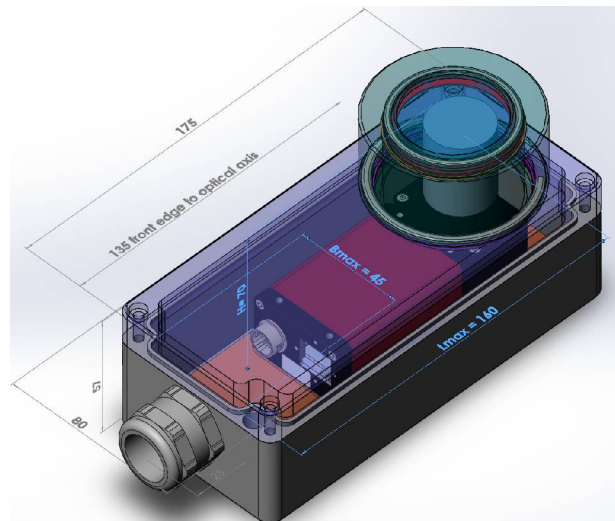
Chameleon S, Aluminium



Chameleon SW, 80x62x175 (w x h x l), for Vision Sensors up to 72x40x150mm (w x h x l including connectors).

Example: Balluff BVS Vision Sensor.

Article Number: 20.100.062



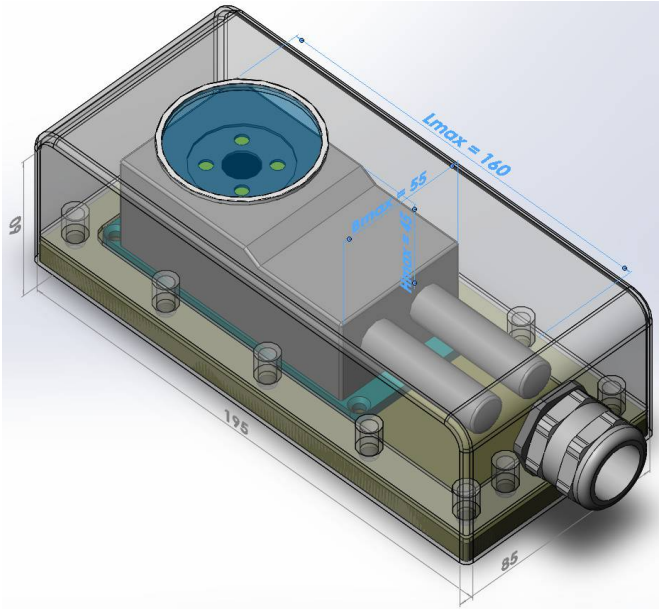
Chameleon ST, 80x92x175 (w x h x l) for angular C-mount cameras up to 45x70x160mm (w x h x l including connectors).

Example: AVT Manta W90 with 35mm C-mount lens.

Article Number: 20.100.092

Chameleon IP66 (Nema 4) Industrial camera enclosure

Chameleon S, high grade stainless steel



- High grade stainless steel, Aisi 316L for demanding applications in the food and pharmaceutical industries.
- Hygienic design - without corners or ridges, flush window, hidden assembly threads on the rear side.

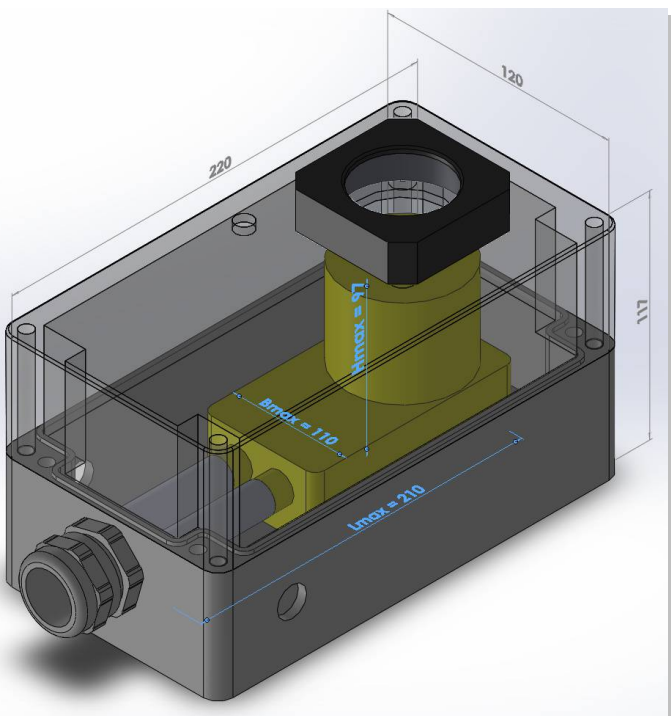


- For vision sensors up to 55x50x160mm (w x h x l including connectors). **Examples:** Baumer Verisens, Balluff BVS Sensor. **Article Number: 20.110.050**

Chameleon L

Chameleon L, 120x117x220mm (wxhxl) for 90° cameras up to **110x97x210mm** (w x h x l including connectors)

Article Number: 20.105.000



Example:
Chameleon L for
Cognex Insight 5000



© autoVimation 2012 subject to change without notice. No liability is accepted for possible errors.