

# Orca IP67 (Nema 4 + 6) Industrial camera enclosures



IP67 protection for cameras up to 62 x 62mm cross section

## Technical Highlights:

- **Robust build** aluminium extrusion profile.
- **Small form factor** easy to integrate into existing machines.
- **Flexible camera positioning** (angle and position)
- **Dovetail profiles enable robust enclosure mounting** on all 4 sides along the entire profile. Mounting brackets resist a displacement force of up to 3000N! Simple adjustment of working distance.
- **Assembly of ring lights with up to 78mm Ø** directly into 3" front lid possible.
- **Compatible with a large range of accessories:** various mounting and adjustment brackets, triangulation set-ups, water cooling, controlled heating plate, wind curtain, positioning ring for simple camera replacement, and more.
- **High chemical resistance** by using Viton, EPDM and TPE sealing materials. Contact us with special requirements!
- **Special enclosures** for Sick Ranger, Basler Runner and Aviator, Sony FCB block cameras as well as FLIR A300 thermal imaging cameras.



- **Vibration proof camera mounting with good heat dissipation** with our patented Quick-Lock / Heat-Guide mounting system.
- **Fits all cameras with a cross section of up to 62 x 62mm.**

## Degree of protection

**IP66** protection from high pressure water jets (equivalent to Nema 4)

and

**IP67** protection from occasional submersion (equivalent to Nema 6)

max water depth: down to 1m  
max. duration: up to 1 hour

## Dimensional details

for camras up to 62 x 62mm cross section enables assembly of connectors up to 26mm Ø

Orca S, length: 176, 130 (overall, internal)

Orca M, length: 226, 180 (overall, internal)

Orca L, length: 296, 250 (overall, internal)

Special length up to 450mm internal length

Window aperture -Ø with 2" window: 45mm Ø

Window aperture -Ø with 3" window: 65mm Ø

lens diameter up to 85mm

## Material details

Enclosure: anodised aluminium

Window: BK7, broadband anti-reflective coating both sides

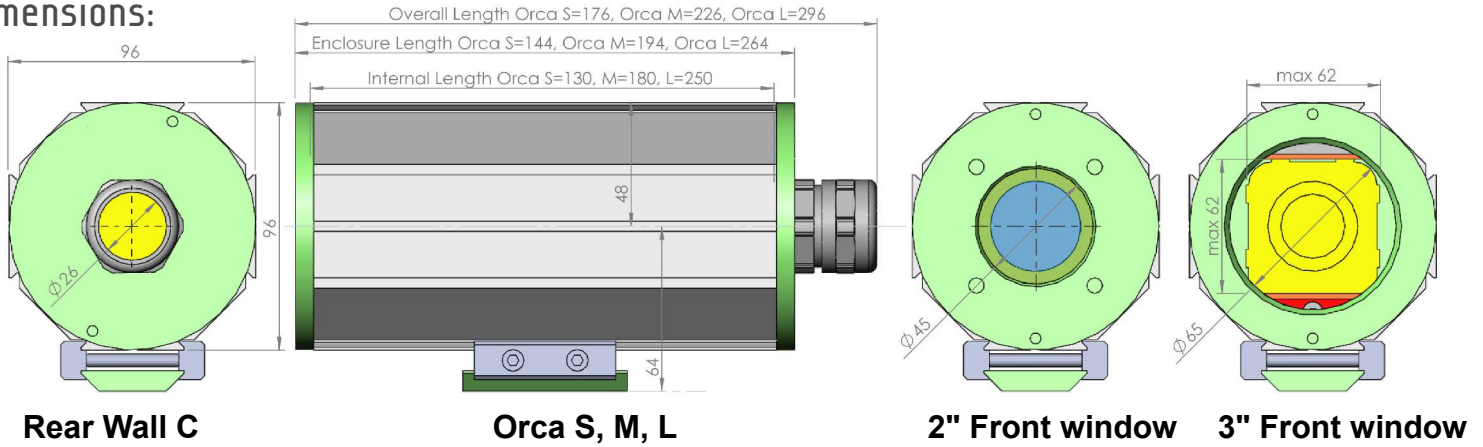
Window seal: Viton

Enclosure seal: EPDM (Viton at request)

Cable gland seal: TPE (TPEV at request)

# Orca IP67 (Nema 4 + 6) Industrial camera enclosures

## Dimensions:

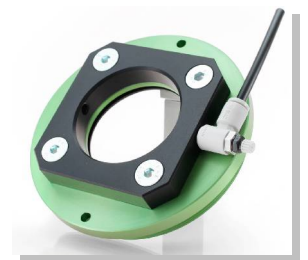


## Accessories:

- **Mounting kits 1-11** (refer to brochure "[Camera Enclosure Mounting kits](#)")
- **Wind curtain and air nozzle Orca** for dirty environments
- **Water cooling and heating**
- **90 degrees deflection mirror** mount
- **Adapter plate for 3" ring light** in housing lid
- **Electric heating plate with temperature control**
- **Positioning ring**, allowing for repeatable camera assembly
- **Triangulation building kit** (refer to brochure "[Mounting solutions for 3D Machine Vision](#)") and more



90° deg deflection mirror



Wind curtain



Ring Light mount



Rear Walls A, B and D

## Order number key for standard Orca enclosures:

Example: Orca L, 2" front window, camera height h: 52mm, length 250mm, rear wall C:

Art. No.:	<u>2</u>	<u>5.2</u>	<u>4</u>	<u>1</u>	<u>.250</u>
	↓	↓	↓	↓	↓
camera-enclosure	camera height h in cm 5,2cm	Orca	2" front window, rear wall B	length: L = 250	
	Orca standard for h= 40 - 62mm For h = 29 - 39mm please order adapter plates art. no.: 20.040.001 separately!		rear wall A: 0 rear wall B: 1 rear wall C: 2 rear wall D: 3	S: 130 M: 180 L: 250	

Please order the assembly tool separately with your first order: Mounting tool 4mm pins for Orca and Feuersalamander lids, Art. No.: 90.000.004

Further information: "[Camera enclosures and Camera Mounting Blocks](#)" brochure.