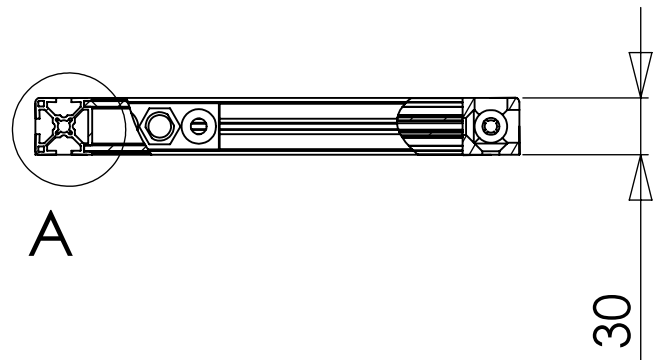
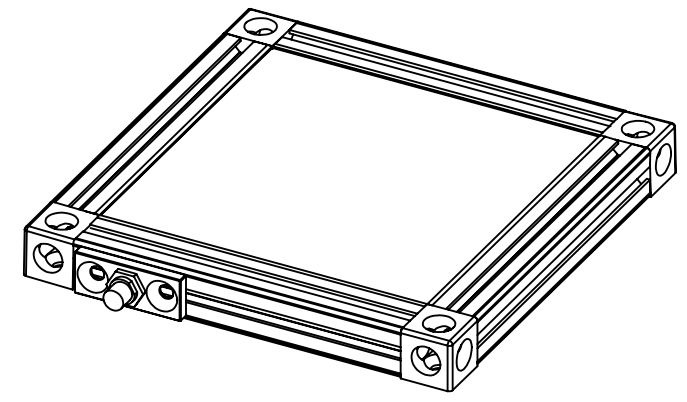
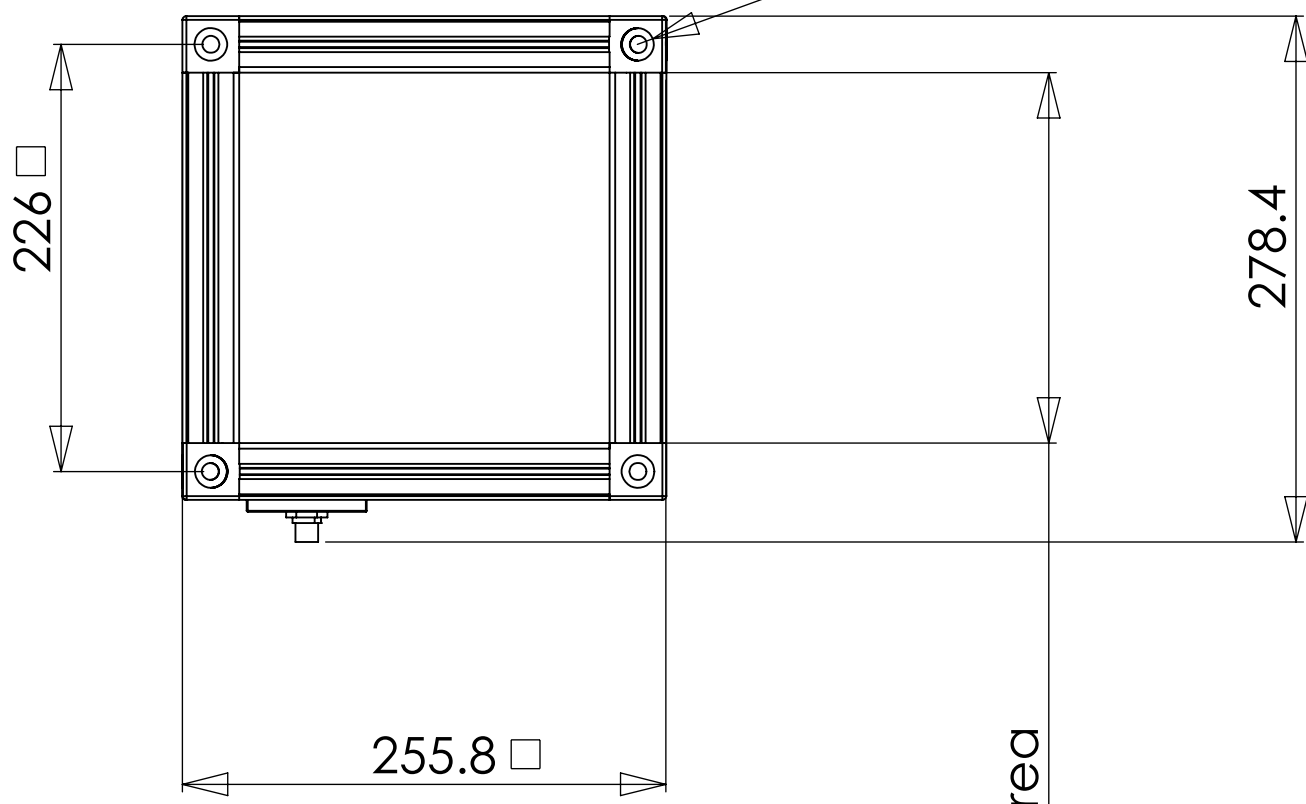


8 7 6 5 4 3 2 1

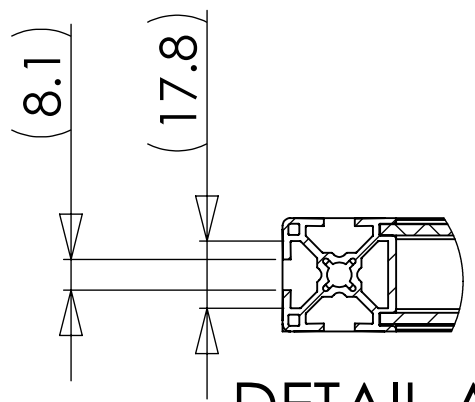
REVISIONS				
ZONE	REV.	DESCRIPTION	DATE	APPROVED

typ.  $\varnothing$  9 THRU ALL  
 $\square$   $\varnothing$  17.30  $\nabla$  24



196  $\square$   
active area

A



DETAIL A  
SCALE 1 : 2

**PROPRIETARY AND CONFIDENTIAL**  
 THE INFORMATION CONTAINED IN THIS DRAWING IS THE SOLE PROPERTY OF SmartVisionLights. ANY REPRODUCTION IN PART OR AS A WHOLE WITHOUT THE WRITTEN PERMISSION OF SmartVisionLights IS PROHIBITED.

UNLESS OTHERWISE SPECIFIED:		DATE	NAME	SOBL-200x200	
DIMENSIONS ARE IN MM		DRAWN BY	12/5/2011	SmartVisionLights.Com	
TOLERANCES:		CHECKED		matt@smartvisionlights.com	
FRACTIONAL $\pm$ 1-64		ENG APPR.			
ANGULAR: MACH $\pm$ .25° BEND $\pm$ 3°		MFG APPR.			
TWO PLACE DECIMAL $\pm$ .10 mm		Q.A.			
THREE PLACE DECIMAL $\pm$ .01 mm		COMMENTS:			
INTERPRET GEOMETRIC TOLERANCING PER:				SIZE	DWG. Name
MATERIAL				<b>B</b>	SOBL-200x200
FINISH				REV	
NEXT ASSY	USED ON			SCALE: 1:4	
APPLICATION				SHEET 1 OF 1	

8 7 6 5 4 3 2 1