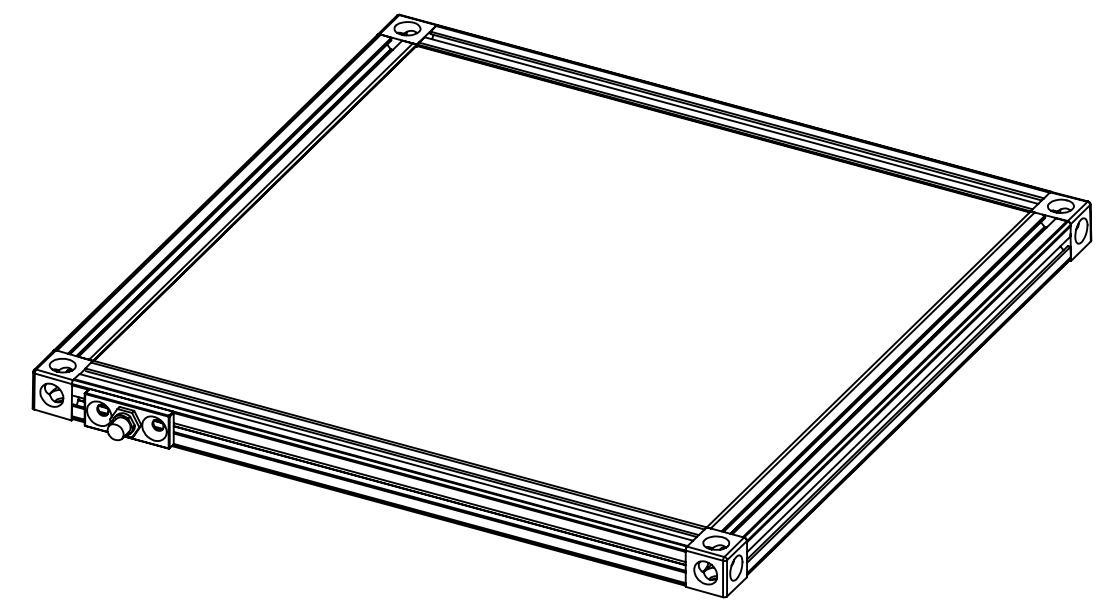
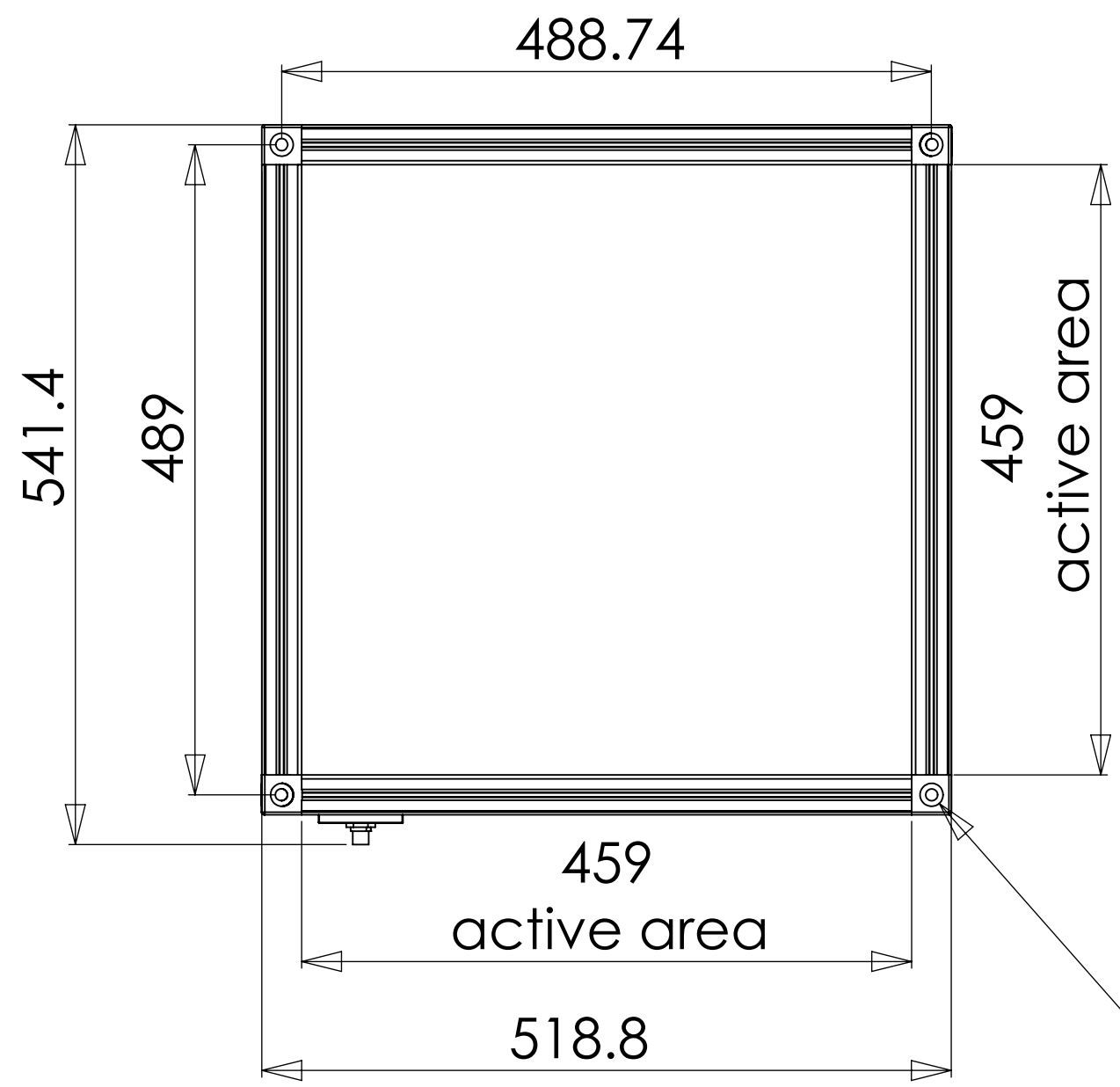
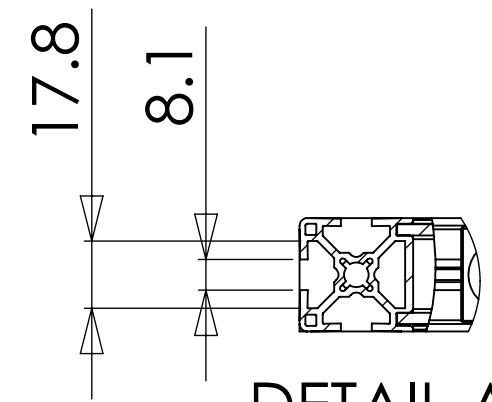
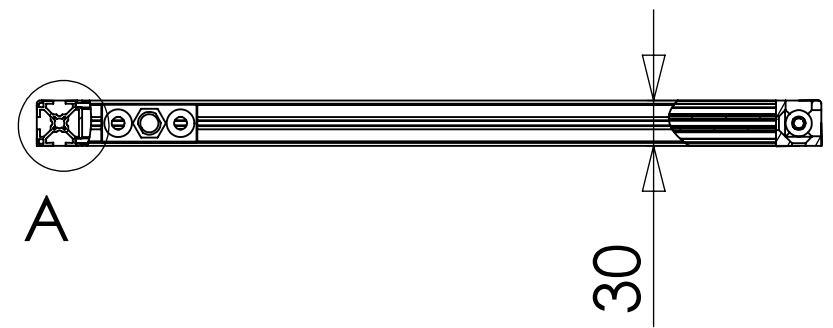


8 7 6 5 4 3 2 1

REVISIONS				
ZONE	REV.	DESCRIPTION	DATE	APPROVED



typ. \varnothing 9 THRU ALL
 \square \varnothing 17.30 ∇ 24



DETAIL A
SCALE 1 : 2

PROPRIETARY AND CONFIDENTIAL
 THE INFORMATION CONTAINED IN THIS DRAWING IS THE SOLE PROPERTY OF SmartVisionLights. ANY REPRODUCTION IN PART OR AS A WHOLE WITHOUT THE WRITTEN PERMISSION OF SmartVisionLights IS PROHIBITED.

UNLESS OTHERWISE SPECIFIED:		DATE	NAME	SOBL-450x450
DIMENSIONS ARE IN MM		DRAWN BY	2/22/2011	SmartVisionLights.Com
TOLERANCES:		CHECKED		
FRACTIONAL \pm 1-64		ENG APPR.		
ANGULAR: MACH \pm .25° BEND \pm 3°		MFG APPR.		
TWO PLACE DECIMAL \pm .10 mm		Q.A.		matt@smartvisionlights.com
THREE PLACE DECIMAL \pm .01 mm		COMMENTS:		
INTERPRET GEOMETRIC TOLERANCING PER:				
MATERIAL				
FINISH				
NEXT ASSY	USED ON			SIZE B DWG. Name SOBL-450x450 REV
APPLICATION				SCALE: 1:5 SHEET 1 OF 1