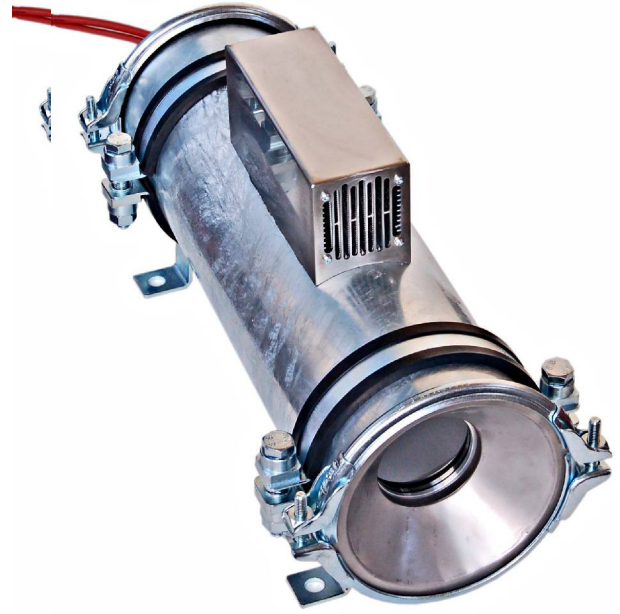


Enclosures with Peltier climatisation Turtle S and Turtle L IP54-IP67

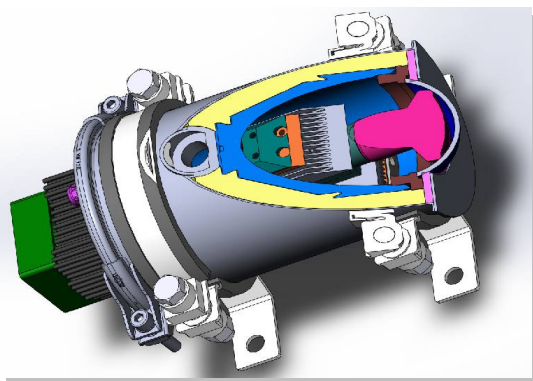


Optimal climate for cameras even under extreme temperature conditions

Technical Highlights:

- **Robust build** with stainless steel outer enclosure.
- **Camera is always kept within the permitted temperature range** - automatic heating- and cooling mode (threshold adjustable).
- **Permanent camera temperature control** - with emergency camera shut down for camera protection.
- Designed for **operation under extreme climatic conditions**, ambient temperatures up to 50°C and sun radiation intensity of up to 350W/ m².
- **Simple, fully automatic operation** - only power supply required.
- **Good UV and ageing resistance** of all sealing components, EPDM seals and high temperature silicone cables.
- **Autonomous operation** - power supply by solar cells possible.
- Application areas: solar industry, surveillance, astronomy, and more.
- **Different front windows available** - 3" BK7 window or dome lid for fisheye lenses as well as Germanium windows for use with thermal imaging cameras.

Turtle S



Turtle S 185 x 160 x 300mm (w x h x l) for cameras up to **60 x 60 x 165mm** w x h x l including connectors) and max 90mm lens Ø. Degree of protection: IP54 (Nema Schutzart: IP54 (Nema 3)).

Cooling- / heating performance: up to 45W / 70W

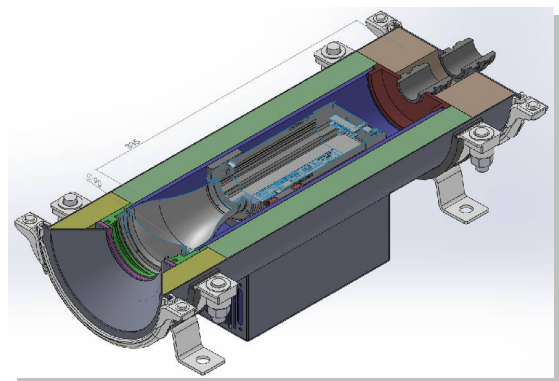
Example: Basler Ace with fisheye lens.

Turtle S - with 3" BK7 window, **article number: 70.300.230**

Turtle SD - with dome window, **article number: 70.300.240**

Delivery includes the Peltier controller and camera thermometer and 5m connection cables. Power supplies available on request.

Turtle L



Turtle L, 215 x 240 x 500mm (w x h x l) for cameras up to **70 x 70 x 335mm** w x h x l including connectors) and max. 90mm lens - Ø. Degree of protection: outside housing IP54 (Nema 3), inside enclosure IP66/ 67 (Nema 4 and 6).

Cooling- / heating performance: up to 60W / 120W

Example: FLIR A300 with large f=76mm lens.

Turtle L - with 3" BK7 window, **article number: 70.300.250**

Turtle LG - with 3" Germanium window, **article number: 70.300.260.**

Delivery includes the Peltier controller and camera thermometer and 5m connection cables. Power supplies available on request.